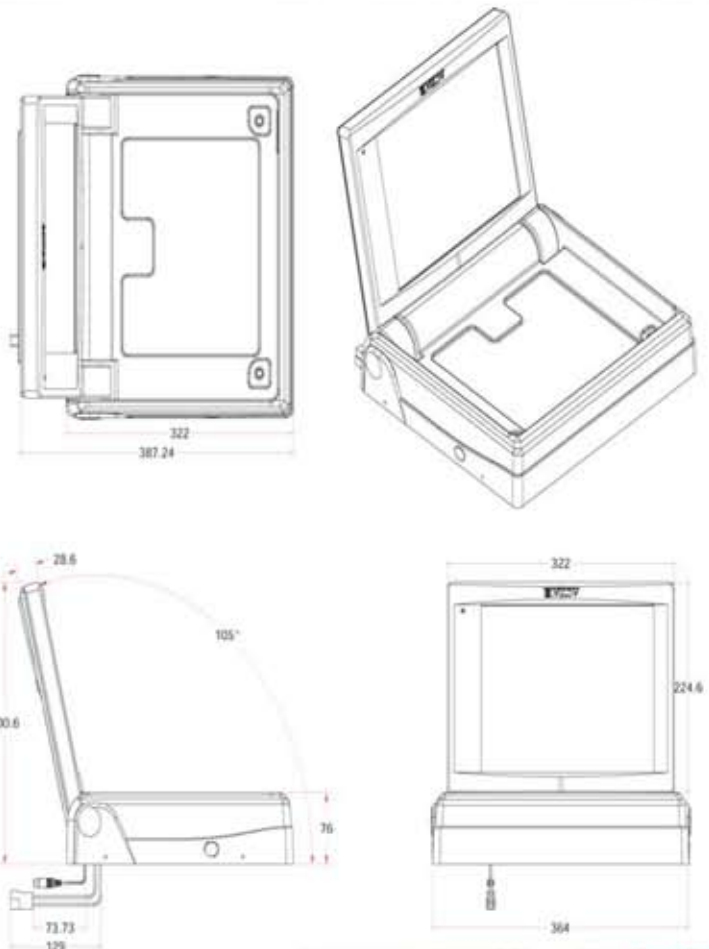


12" MOTORIZED TFT 8390329



TECHNICAL SPECIFICATIONS

Power Source	RANGE: 12 – 36V dc Nominal: 24V dc Range: 580 to 1060 mA Nominal: 600 mA (12") 750 mA (15")
Video Standard	NTSC/PAL B-G/SECAM
Motor	DC Gear Box
Power (Nominal)	20 Watts (12") 36 Watts (15")
Weight	5.5 Kg (12") 7.5 Kg (15")
Dimensions	12" closed 364X76X322 (mm) 15" closed 440X79.5X375 (mm)
Resolution	800 X 600 (12") ± 4 pixels 1024 X 768 (15") ± pixels
Connectors	2 Way Faston T (Supply) ; RCA (Video)
EMC	EC Regulation 95/94
IP Protection Degree	IP50 according to DIN 40050
Temperature	Operation: 0°C to + 70°C 0°C to + 85°C (5 Minutes) 0°C to + 90°C (1 Hour ST-By Storage: -20°C to + 85°
Relative Humidity	65 ± 5%



ACTIA®

15" MOTORIZED TFT 8390395



TECHNICAL SPECIFICATIONS

Power Source	RANGE: 12 – 36V dc Nominal: 24V dc Range: 580 to 1060 mA Nominal: 600 mA (12") 750 mA (15")
Video Standard	NTSC/PAL B-G/SECAM
Motor	DC Gear Box
Power (Nominal)	20 Watts (12") 36 Watts (15")
Weight	5.5 Kg (12") 7.5 Kg (15")
Dimensions	12" closed 364X76X322 (mm) 15" closed 440X79.5X375 (mm)
Resolution	800 X 600 (12") ± 4 pixels 68 (15") ± pixels
Connectors	2 Way Faston T (Supply) ; RCA (Video)
EMC	EC Regulation 95/94
IP Protection Degree	IP50 according to DIN 40050
Temperature	Operation: 0°C to + 70°C 0°C to + 85°C (5 Minutes) 0°C to + 90°C (1 Hour ST-By Storage: -20°C to + 85°
Relative Humidity	65 ± 5%

